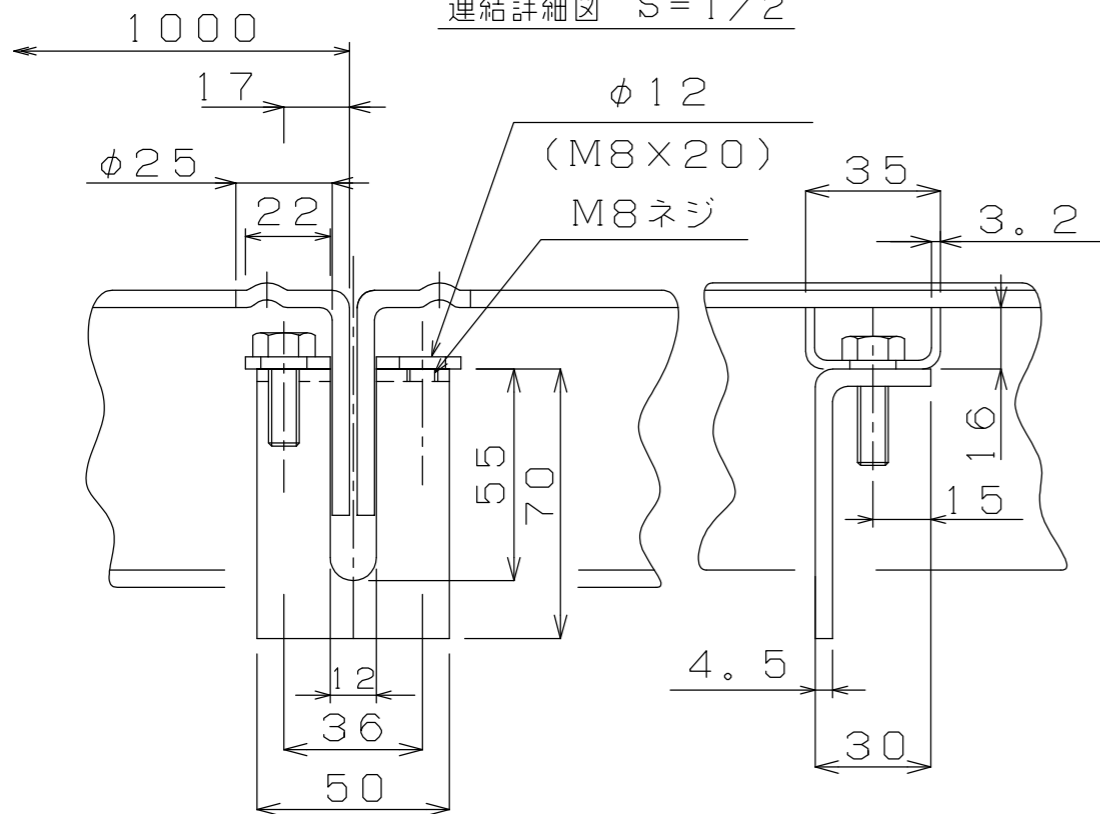


連結詳細図 S=1/2



記事

1. 型式 : RC-24

2. 材質 : 亜鉛メッキ

3. 荷重条件 : T-14

APPROVED BY		WORK NO.
JUDGED BY		
ENG' R IN CHARGE		DRAWING NO.
CHECKED BY		
DRAWN BY		
DATE DRAWN		溝幅 240用
SCALE		
		DAIKURE CO., LTD.