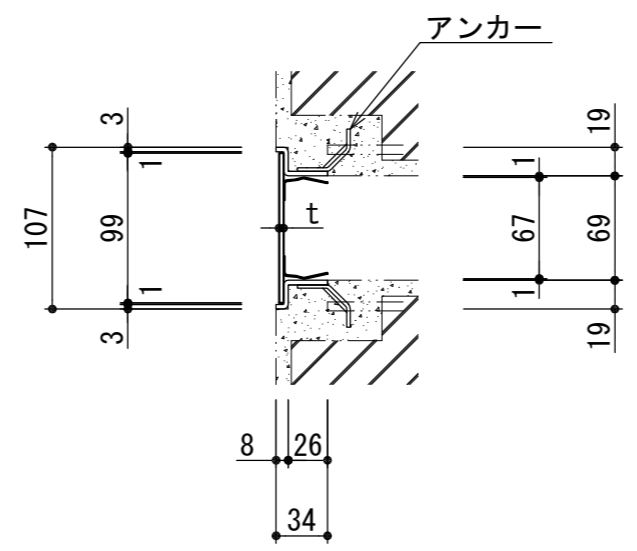
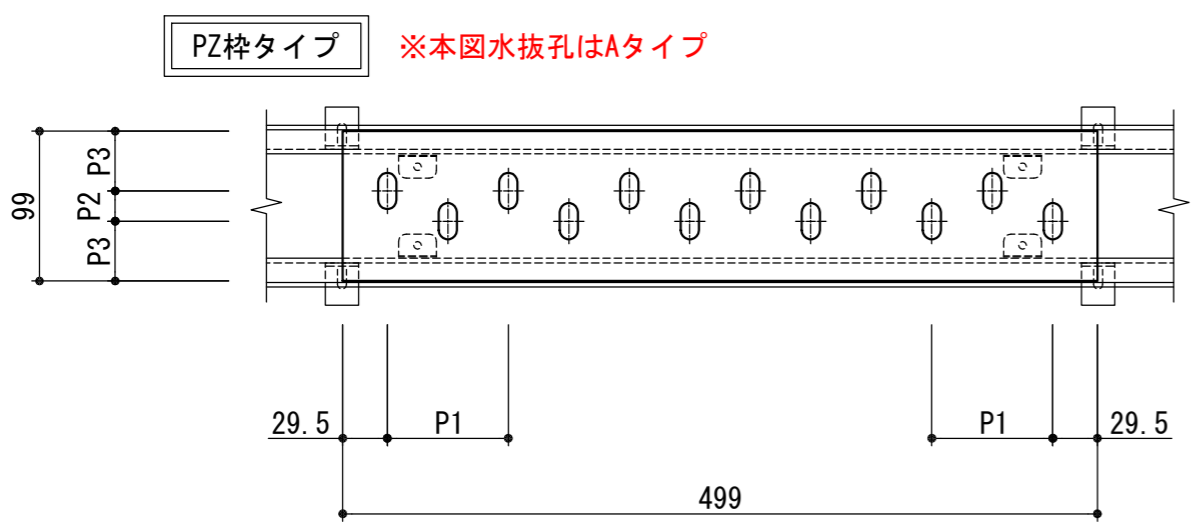


| ピット用溝蓋(プレート) | | | | | 荷重条件 |
|--------------|---------|-----|----|------|------|
| 型 式 | 板厚 t | ピッチ | | | |
| | | P1 | P2 | P3 | |
| NPC-A-10 | 3t | 80 | 20 | 39.5 | 人 |
| NPC-B-10 | 3t | 80 | 20 | 39.5 | 人 |



- 記事
- タイプ : ずれ止めタイプ
 - 材質 : SUS304

| | | | |
|------------------|-----|-------------------|-------------|
| APPROVED BY | | DAIKURE CO., LTD. | WORK NO. |
| JUDGED BY | | | DRAWING NO. |
| ENG' R IN CHARGE | | | |
| CHECKED BY | | | |
| DRAWN BY | | | |
| DATE DRAWN | | | |
| SCALE | 1/5 | | |