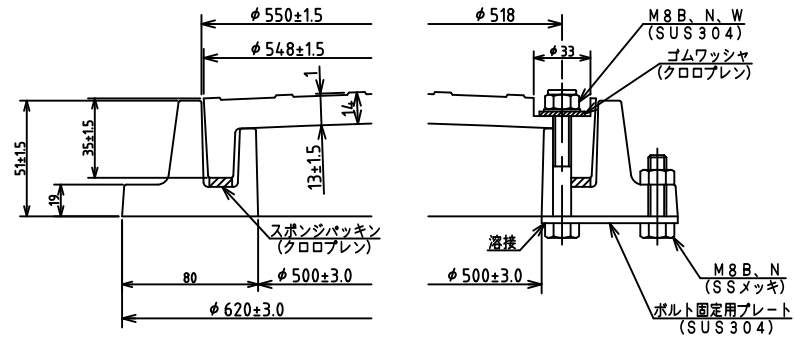
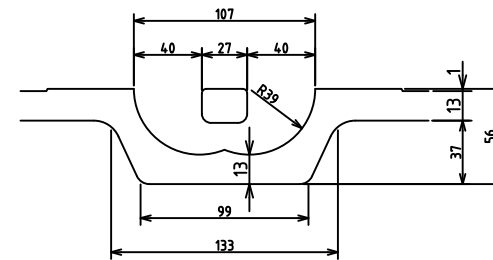


蓋・受枠・ロック部断面詳細図



取手部断面詳細図



| | | | | |
|----|-----|-------------|---------------|-------|
| 受枠 | FRP | | | 5.0kg |
| 蓋 | FRP | 5kN(510kgf) | 20kN(2041kgf) | 7.1kg |
| 名称 | 材質 | 安全荷重 | 破壊荷重 | 参考質量 |

| | | | |
|----------------|----------|--|-------------|
| APPROVED BY | | FRPマンホール 蓋・受枠詳細図 MK-PAOML504 (ボルト締めロック4箇所) | WORK NO. |
| JUDGED BY | | | DRAWING NO. |
| ENG. IN CHARGE | | | |
| CHECKED BY | | | |
| DRAWN BY | | | |
| DATE DRAWN | | | |
| SCALE | 1/4, 1/2 | DAIKURE CO., LTD. | |